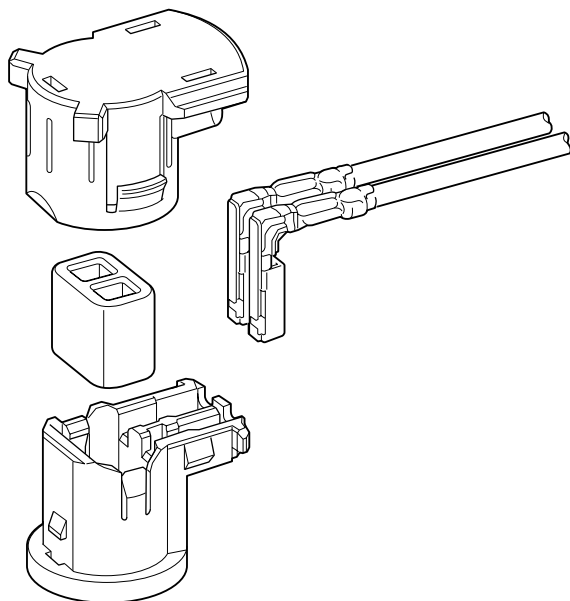


# SQF CONNECTOR

## Squib connectors



This connector for air-bag is simple, compact and not easy to come off without CPA.



### Features

#### ● Compact design

Miniaturized in total length and height compared to the conventional connector for air-bag.

This connector can fix in the outer diameter 20mm or less of an inflator.

#### ● Mating

Designed to fix into the fix-in type inflator pocket.

#### ● Terminal construction

It is designed to prevent the deformation of the contact part when processing wire harness by protecting the contact part of each terminal with a box.

#### ● Noise suppression

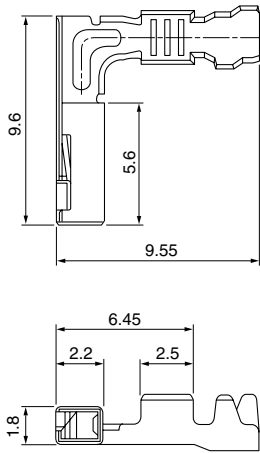
Ferrite core provides simple and reliable noise suppression characteristics.

### Specifications

- Temperature range:  $-30^{\circ}\text{C}$  to  $+80^{\circ}\text{C}$   
(including temperature rise in applying electrical current)
- Insulation resistance:  $100\text{M}\Omega$  min.
- Applicable wire:  $0.3\text{mm}^2$  to  $0.5\text{mm}^2$

- \* Compliant with ELV/RoHS.
- \* Contact JST for details.

## Female terminal

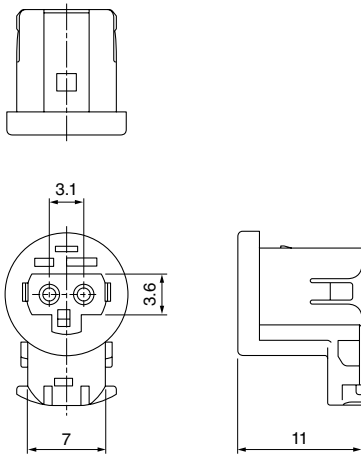


Model No.	Applicable wire range		Q'ty/reel
	Conductor (mm <sup>2</sup> )	Insulation O.D. (mm)	
<b>SSQF-A03GF-P-P</b>	0.3 to 0.5	1.0 to 1.6	6,500

### Material and Finish

Copper alloy, nickel-undercoated, Contact area; gold-plated

## Female housing

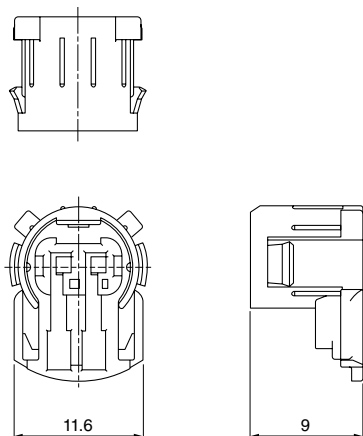


Circuits	Model No.	Q'ty/box	Color
2	<b>SQFR-02H-1A-Y</b>	1,000	Yellow
	<b>SQFR-02H-1B-M</b>	1,000	Green
	<b>SQFR-02H-1C-D</b>	1,000	Orange

### Material

PBT

## Cover housing



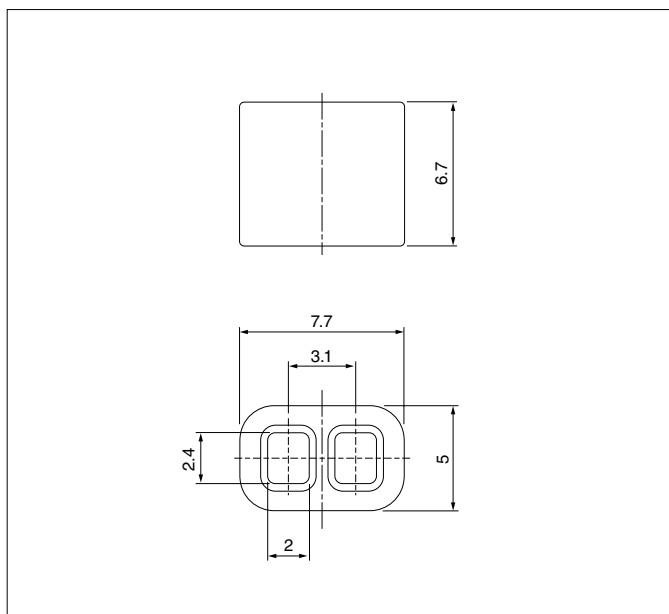
Circuits	Model No.	Q'ty/box	Color
2	<b>SQFL-02H-1A-Y</b>	1,000	Yellow
	<b>SQFL-02H-1B-M</b>	1,000	Green
	<b>SQFL-02H-1C-D</b>	1,000	Orange

### Material

PBT

# SQF CONNECTOR

## Ferrite



Circuits	Model No.	Q'ty/box
2	<b>SQFF-02-1A</b>	3,000

## Crimping machine, Applicator

Strip terminal	Crimping machine	Crimp applicator MKS-L	
		Dies	Crimp applicator with dies
<b>SSQF-A03GF-P-P</b>	AP-K2N	MK/SQS-A03-P	APLMK SQS-A03-P

Note: When crimping operation is conducted using an applicator and die set other than the above, JST cannot guarantee the performance of the terminal.